

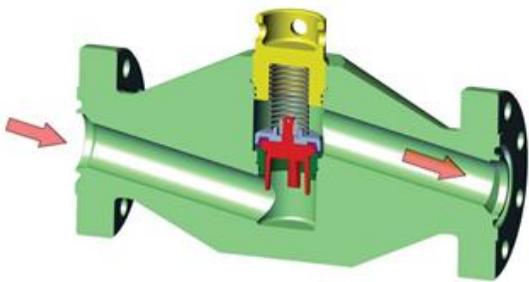
# FOUNTAIN PETRO LLC

Tel: (281) 372-8442 Fax: (281) 372-8441 Mobile: +1 (713) 413-7466

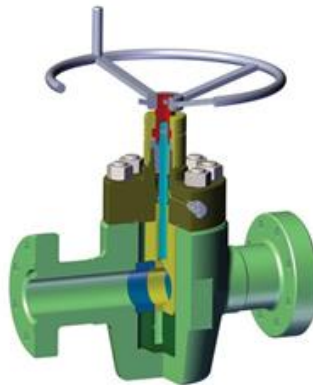
Website: [www.fountainpetro.com](http://www.fountainpetro.com) Email: [sales@fountainpetro.com](mailto:sales@fountainpetro.com)

Address: 12930&12936 Emmett Rd. Houston, TX 77041

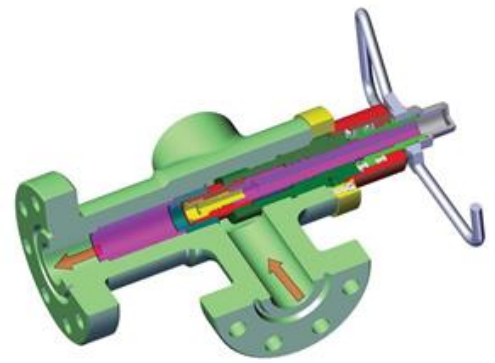
Kill and choke manifolds are built to customer specifications. Offered is a full line of choke, gate and check valves in various sizes and pressure ratings that meet the API 6A spec. Our valves are offered in both, manual or hydraulic controlled. Our manifolds are used for a number of drilling situations including; work over operations, balanced and under balanced drilling, flushing the well and effectively controlling well blow outs.



CHECK VALVE



GATE VALVE



CHOKE VALVE

Description	Model	Main Bore and Bypass Bore mm (in)	Working Pressure	Working Temperature	Working Medium	Control type (available in all sizes)
Choke Manifold	JG (52~103) - (21~105)	52 (2 1/16")	21~105 Mpa	-29°C ~ 121°C	Mud, Oil, Drilling Fluid H2S	Two wing single opening and closing manual structure Two wing double opening and closing manual structure Two wing double opening and closing hydraulic Three wing double opening and closing manual structures Three wing double opening and closing hydraulic structure
		65 (2 9/16")				
		78 (3 1/16")				
		79 (3 1/8")				
		103 (4 1/16")				
Kill Manifold	YG (52~103) - (21~105)	52 (2 1/16")	21~105 Mpa	-45°C ~ 121°C	Mud, Oil, Drilling Fluid H2S	Single wing structure with relief valve Two wing structure with relief valve
		65 (2 9/16")				
		78 (3 1/16")				
		79 (3 1/8")				
		103 (4 1/16")				