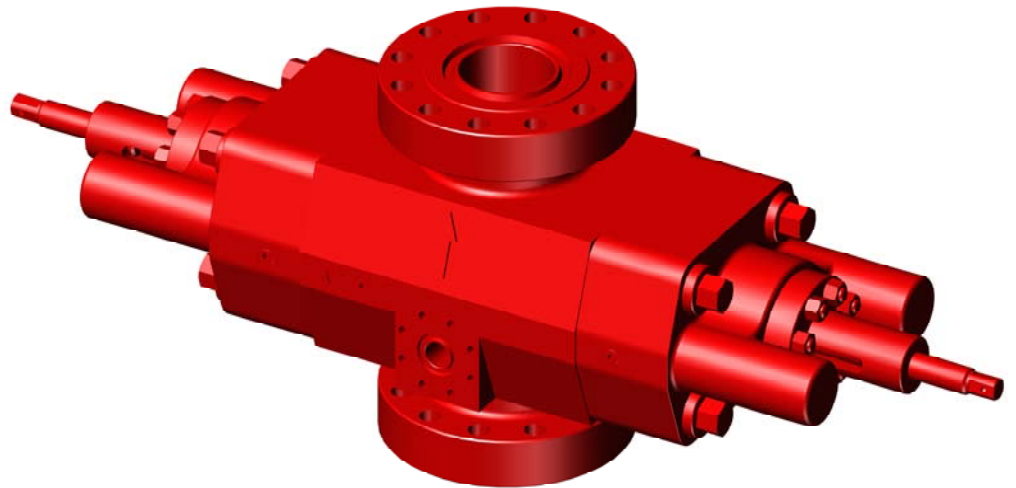
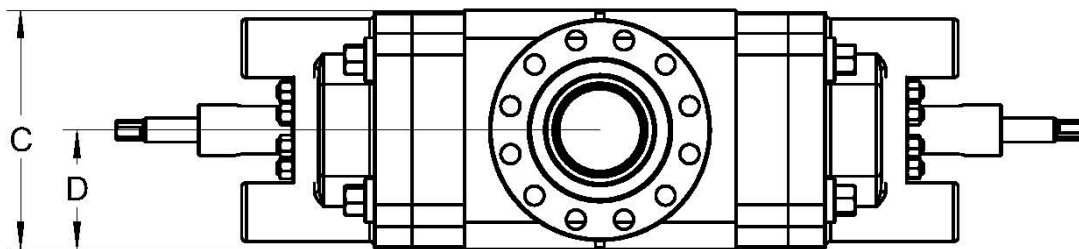
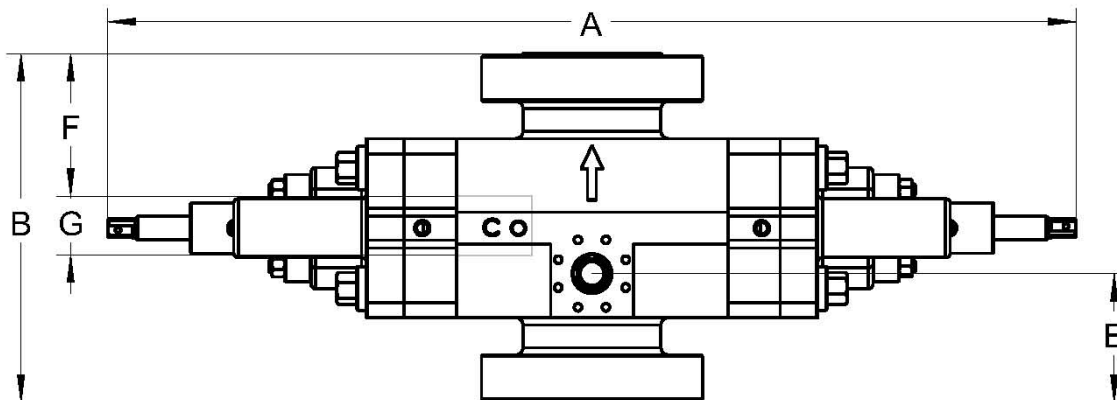


U Type Ram BOP



Descriptions:

The U-Style Ram BOP is available in three forged structures, the single, double and triple ram configurations. The rams are controlled hydraulically with the option of having the ram locking method manual or hydraulic depending on the model. Various rams option are available including the blind ram, various size pipe ram, shear blind ram and the variable bore ram. Structures can be ordered with studded or flanged



Single Ram BOP

Single Ram U type BOP Dimensions Flange or Clamp Hub (Manual lock)

Size (in.)	Pressure Rating (psi)	Vertical Bore (in.)	A-1 (in.)	A-2 (in.)	A-3 (in.)	A-4 (in.)	B-1 (in.)	B-2 (in.)	C (in.)
7-1/16	3000	7-1/16	74.000	109.500	-	-	24.062	-	20.250
7-1/16	5000	7-1/16	74.000	109.500	-	-	27.500	25.188	20.250
7-1/16	10,000	7-1/16	74.000	109.500	-	-	30.562	27.188	20.625
7-1/16	15,000	7-1/16	74.000	109.500	-	-	31.812	-	20.625
11	3000	11	96.250	146.875	-	-	29.062	-	25.125
11	5000	11	96.250	146.875	110.125	150.188	34.312	29.312	25.125
11	10,000	11	96.250	146.875	110.125	150.188	35.688	32.188	25.750
11	15,000	11	124.000	175.312	124.500	167.125	44.812	33.875	32.000
13-5/8	3000	13-5/8	112.125	171.500	122.688	166.062	31.312	-	29.250
13-5/8	5000	13-5/8	112.125	171.500	122.688	166.062	33.812	31.938	29.250
13-5/8	10,000	13-5/8	114.125	172.750	124.688	167.312	41.688	32.812	30.250
13-5/8	15,000	13-5/8	139.000	214.375	152.250	205.500	53.688	42.000	39.500
16-3/4	3000	16-3/4	127.250	204.562	147.250	199.375	40.062	31.750	35.750
16-3/4	5000	16-3/4	129.250	202.125	149.250	202.250	43.062	34.938	35.750
16-3/4	10,000	16-3/4	139.000	218.375	155.500	212.000	49.688	41.938	39.500
18-3/4	10,000	18-3/4	156.375	242.125	166.500	226.625	56.000	43.234	42.500
20-3/4	3000	20-3/4	143.688	226.812	163.938	223.875	40.562	33.312	39.516
21-1/4	2000	21-1/4	143.688	226.812	163.938	223.875	37.188	33.312	39.516
21-1/4	5000	21-1/4	164.250	247.250	180.938	239.250	50.938	46.125	42.500
21-1/4	10,000	21-1/4	163.375	250.375	181.125	239.500	66.000	53.000	47.250
26-3/4	3000	26-3/4	169.625	275.375	-	-	48.312	-	46.250
Size (in.)	Pressure Rating (psi)	Vertical Bore (in.)	E-1 (in.)	E-2 (in.)	F-1 (in.)	F-2 (in.)	G (in.)	Approx. Weight	
								lb	Kg
7-1/16	3000	7-1/16	8.750	-	7.844	-	5.50	2600	1179
7-1/16	5000	7-1/16	10.406	9.250	9.625	8.469	5.50	2800	1270
7-1/16	10,000	7-1/16	11.062	9.375	12.031	10.344	5.50	3550	1610
7-1/16	15,000	7-1/16	11.688	-	12.656	-	5.50	3800	1724
11	3000	11	9.812	-	10.531	-	6.75	5300	2404
11	5000	11	12.438	9.938	13.156	10.656	6.75	5600	2540
11	10,000	11	13.125	11.375	13.844	12.094	6.75	6400	2903
11	15,000	11	16.688	11.219	17.781	12.312	9.25	10,300	4672
13-5/8	3000	13-5/8	10.312	-	11.531	-	7.50	7200	3266
13-5/8	5000	13-5/8	11.562	10.625	12.781	11.844	7.50	7700	3493
13-5/8	10,000	13-5/8	15.125	10.688	17.094	12.656	7.50	10,300	4672
13-5/8	15,000	13-5/8	21.375	15.500	22.844	17.000	8.00	23,700	10,750
16-3/4	3000	16-3/4	13.312	9.156	15.406	11.250	9.25	13,700	6214
16-3/4	5000	16-3/4	14.812	10.750	16.906	12.844	9.25	13,750	6237
16-3/4	10,000	16-3/4	19.375	15.500	20.219	16.344	9.25	23,300	10,569
18-3/4	10,000	18-3/4	20.500	13.875	22.000	15.344	12.00	28,900	13,109
20-3/4	3000	20-3/4	14.312	10.688	16.281	12.656	8.00	13,650	6192
21-1/4	2000	21-1/4	12.625	10.688	14.594	12.656	8.00	13,250	6010
21-1/4	5000	21-1/4	17.969	17.188	18.719	14.688	13.50	30,000	13,608
21-1/4	10,000	21-1/4	24.531	18.031	26.250	19.750	13.50	34,650	15,717
26-3/4	3000	26-3/4	17.438	-	19.906	-	8.00	24,000	10,886

The capital letters in the following designations refer to the U BOP dimensional views below and dimensional charts shown on the following page.

A-1 Length - bonnets closed, locking screws locked

A-2 Length - bonnets opened, locking screws unlocked

A-3 Length - bonnets closed, with wedgelocks

A-4 Length - bonnets opened, with wedgelocks

B-1 Height - flanged

B-2 Height - clamp hubs

C Width - no side outlets

D Centerline of preventer to outlet flange or hub face. This distance is variable and must be determined per individual specifications.

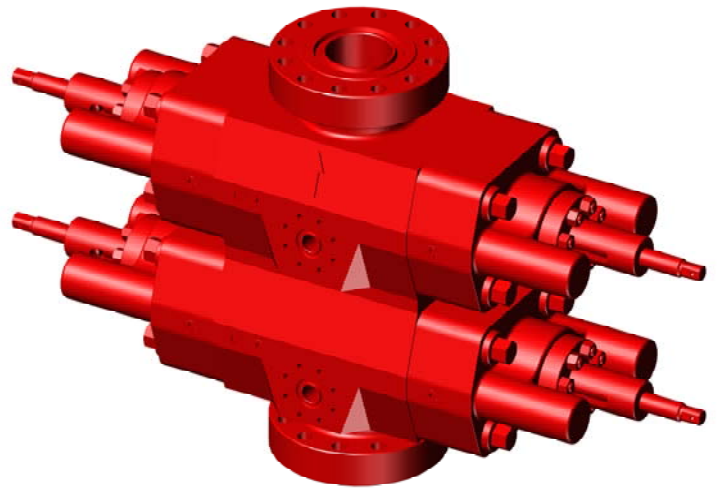
E-1 Centerline of side outlet below rams to bottom flange face

E-2 Centerline of side outlet below rams to bottom hub face

F-1 Top of upper ram to top flange face

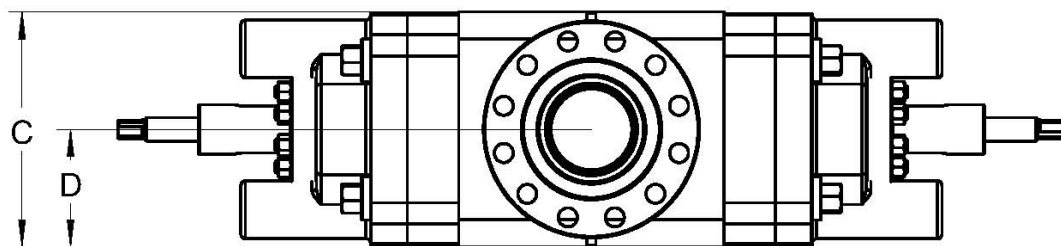
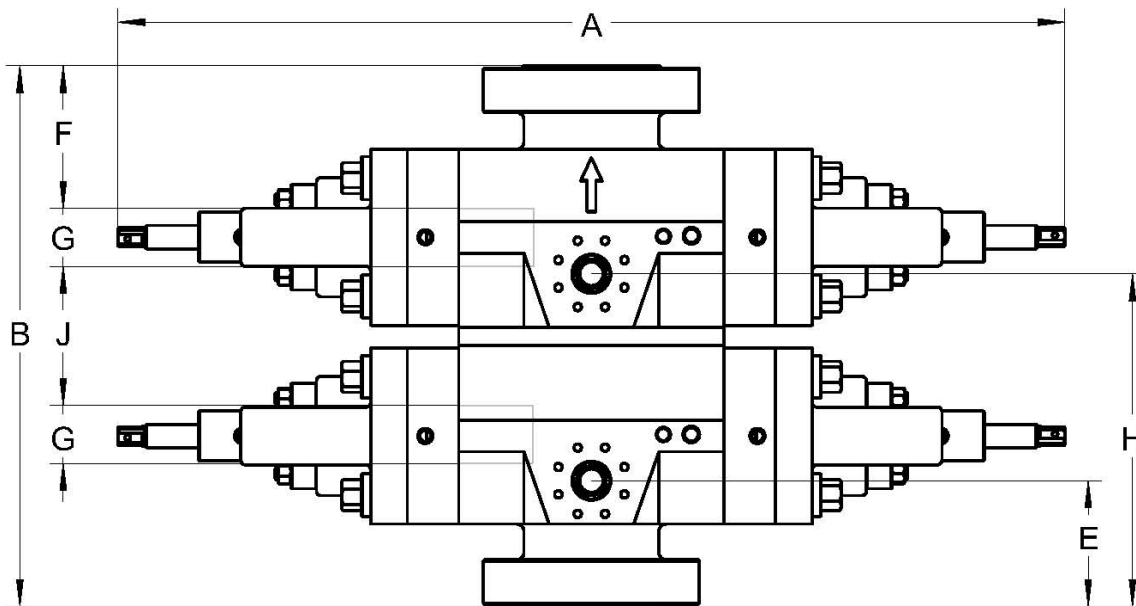
F-2 Top of upper ram to top hub face

G Height of ram



Descriptions:

The U-Style Ram BOP is available in three forged structures, the single, double and triple ram configurations. The rams are controlled hydraulically with the option of having the ram locking method manual or hydraulic depending on the model. Various rams option are available including the blind ram, various size pipe ram, shear blind ram and the variable bore ram. Structures can be ordered with studded or flanged connections.



Double Ram BOP

Double Ram U type BOP Dimensions Flange or Clamp Hub (Manual lock)

Size (in.)	Press. Rating (psi)	Vert. Bore (in.)	A-1 (in.)	A-2 (in.)	A-3 (in.)	A-4 (in.)	B-1 (in.)	B-2 (in.)	B*** (in.)	C (in.)	E-1 (in.)
7-1/16	3000	7-1/16	74.000	109.500	-	-	41.00	-	18.562	20.250	8.750
7-1/16	5000	7-1/16	74.000	109.500	-	-	44.188	41.875	18.812	20.250	10.406
7-1/16	10,000	7-1/16	74.000	109.500	-	-	48.625	45.250	17.438	20.625	11.062
7-1/16	15,000	7-1/16	74.000	109.500	-	-	49.875	-	17.438	20.625	11.688
11	3000	11	96.250	146.875	-	-	49.250	-	16.562	25.125	9.812
11	5000	11	96.250	146.875	110.125	150.188	54.500	49.500	16.562	25.125	12.438
11	10,000	11	96.250	146.875	110.125	150.188	55.875	52.375	16.562	25.750	13.125
11	15,000	11	124.000	175.312	124.500	167.125	69.750	58.812	14.312	32.000	16.688
13-5/8	3000	13-5/8	112.125	171.500	122.688	166.062	53.375	-	15.438	29.250	10.312
13-5/8	5000	13-5/8	112.125	171.500	122.688	166.062	55.875	54.000	15.438	29.250	11.562
13-5/8	10,000	13-5/8	114.125	172.750	124.688	167.312	66.625	57.750	12.562	30.250	15.125
13-5/8	15,000	13-5/8	139.000	214.375	152.250	205.500	81.750	70.125	9.938	39.500	21.375
16-3/4	3000	16-3/4	127.250	204.562	147.250	199.375	65.875	57.562	13.438	35.750	13.312
16-3/4	5000	16-3/4	129.250	202.125	149.250	202.250	68.875	60.750	13.438	35.750	14.812
16-3/4	10,000	16-3/4	139.000	218.375	155.500	212.000	77.750	70.000	11.188	39.500	19.375
18-3/4	10,000	18-3/4	156.375	242.125	166.500	226.625	87.125	74.000	10.875	42.500	20.500
20-3/4	3000	20-3/4	143.688	226.812	163.938	223.875	66.125	58.875	12.438	39.516	14.312
21-1/4	2000	21-1/4	143.688	226.812	163.938	223.875	62.750	58.875	12.438	39.516	12.625
21-1/4	5000	21-1/4	164.250	247.250	180.938	239.250	82.375	74.000	12.375	42.500	17.969
21-1/4	10,000	21-1/4	163.375	250.375	181.125	239.500	100.062	87.062	9.438	47.250	24.531
26-3/4	3000	26-3/4	169.625	275.375	-	-	78.875	-	7.438	46.250	17.438
Size (in.)	Press. Rating (psi)	Vert. Bore (in.)	E-2 (in.)	F-1 (in.)	F-2 (in.)	G (in.)	H-1 (in.)	H-2 (in.)	J (in.)	Approx. Weight	
										lb	Kg
7-1/16	3000	7-1/16	-	7.844	-	5.50	25.688	-	11.438	5000	2268
7-1/16	5000	7-1/16	9.250	9.625	8.469	5.50	27.094	25.938	11.188	5200	2359
7-1/16	10,000	7-1/16	9.375	12.031	10.344	5.50	29.125	27.438	12.562	6400	2903
7-1/16	15,000	7-1/16	-	12.656	-	5.50	29.750	-	12.562	6750	3062
11	3000	11	-	10.531	-	6.75	30.000	-	13.438	9900	4491
11	5000	11	9.938	13.156	10.656	6.75	32.625	30.125	13.438	10,200	4627
11	10,000	11	11.375	13.844	12.094	6.75	33.312	31.562	13.438	11,300	5126
11	15,000	11	11.219	17.781	12.312	9.25	41.625	36.156	15.688	18,400	8346
13-5/8	3000	13-5/8	-	11.531	-	7.50	32.375	-	14.562	14,300	6486
13-5/8	5000	13-5/8	10.625	12.781	11.844	7.50	33.625	32.688	14.562	14,800	6713
13-5/8	10,000	13-5/8	10.688	17.094	12.656	7.50	40.062	35.625	17.438	18,400	8346
13-5/8	15,000	13-5/8	15.500	22.844	17.000	8.00	49.438	43.562	20.062	43,250	19,618
16-3/4	3000	16-3/4	9.156	15.406	11.250	9.25	39.125	34.969	16.562	26,650	12,088
16-3/4	5000	16-3/4	10.750	16.906	12.844	9.25	40.625	36.562	16.562	26,940	12,220
16-3/4	10,000	16-3/4	15.500	20.219	16.344	9.25	47.438	43.562	18.812	43,500	19,731
18-3/4	10,000	18-3/4	13.875	22.000	15.344	12.00	51.500	44.875	19.125	56,950	25,832
20-3/4	3000	20-3/4	10.688	16.281	12.656	8.00	39.875	36.250	17.562	25,550	11,589
21-1/4	2000	21-1/4	10.688	14.594	12.656	8.00	38.188	36.250	17.562	25,150	11,408
21-1/4	5000	21-1/4	17.188	18.719	14.688	13.50	49.031	45.000	17.625	58,000	26,308
21-1/4	10,000	21-1/4	18.031	26.250	19.750	13.50	58.594	52.094	20.562	65,500	29,710
26-3/4	3000	26-3/4	-	19.906	-	8.00	48.000	-	22.562	44,200	20,049

The capital letters in the following designations refer to the U BOP dimensional views below and dimensional charts shown on the following page.

A-1 Length - bonnets closed, locking screws locked

A-2 Length - bonnets opened, locking screws unlocked

A-3 Length - bonnets closed, with wedgelocks

A-4 Length - bonnets opened, with wedgelocks

B-1 Height - flanged B-2 Height - clamp hubs

C Width - no side outlets

D Centerline of preventer to outlet flange or hub face. This distance is variable and must be determined per individual specifications.

E-1 Centerline of side outlet below rams to bottom flange face

E-2 Centerline of side outlet below rams to bottom hub face

F-1 Top of upper ram to top flange face F-2 Top of upper ram to top hub face

H-1 Centerline of side outlet between rams to bottom flange face

H-2 Centerline of side outlet between rams to bottom hub face

G Height of ram

J Top of lower ram to bottom of upper ram